

# NDAA

# EM-C8176PE



- ▶ NDAA Compliance (I prodotti completamente conformi NDAA sono adatti per il governo, la difesa e una serie di progetti soggetti alla NDAA.)
- ▶ 120dB Super WDR (Prestazioni eccellenti anche quando il rapporto di luminosità dei più brillanti e scuri è fino a 120dB.)
- ▶ Funzioni avanzate (che vanta di supportare varie funzioni avanzate come HLC, ROI.)
- ▶ 256G (supporto ultra-large microSD/ SDHC/ SDXC scheda di archiviazione esterna fino a 256G.)
- ▶ Integrateci Junction Box (Garantire l'installazione senza problemi e il funzionamento affidabile con una gestione dei cavi pulita.)
- ▶ Microfono incorporato (Utilizzando codec avanzati per prevedere voce più chiara e prestazioni robuste.)
- ▶ Smart Stream (larghezza di banda, spazio di archiviazione e velocità in bit vengono salvati con Smart Stream On, ad es. H.265+ consente di risparmiare 70% ~ 80% di larghezza di banda che di H.264.)

## IP67 + IK10

## AI 180° Panasonic



### AI Video Analytics

8 modalità VCA intelligenti alimentate dal motore AI, che possono filtrare in modo intelligente gli oggetti per concentrarsi sul rilevamento umano e del veicolo. La tecnologia di conteggio delle persone fornisce dati ad alta precisione e in tempo reale basati sull'algoritmo AI con report statistici.



### Box Giunzione Integrato

The camera is perfect for whole picture viewing experience. It catches 180° horizontal coverage and 95° vertical coverage, achieving 180° panoramic viewing with only single sensor, which is a revolutionary creation in the dome model.



### Vista Panoramica 180°

The camera is perfect for whole picture viewing experience. It catches 180° horizontal coverage and 95° vertical coverage, achieving 180° panoramic viewing with only single sensor, which is a revolutionary creation in the dome model.



### 4K Video Viewing Experience

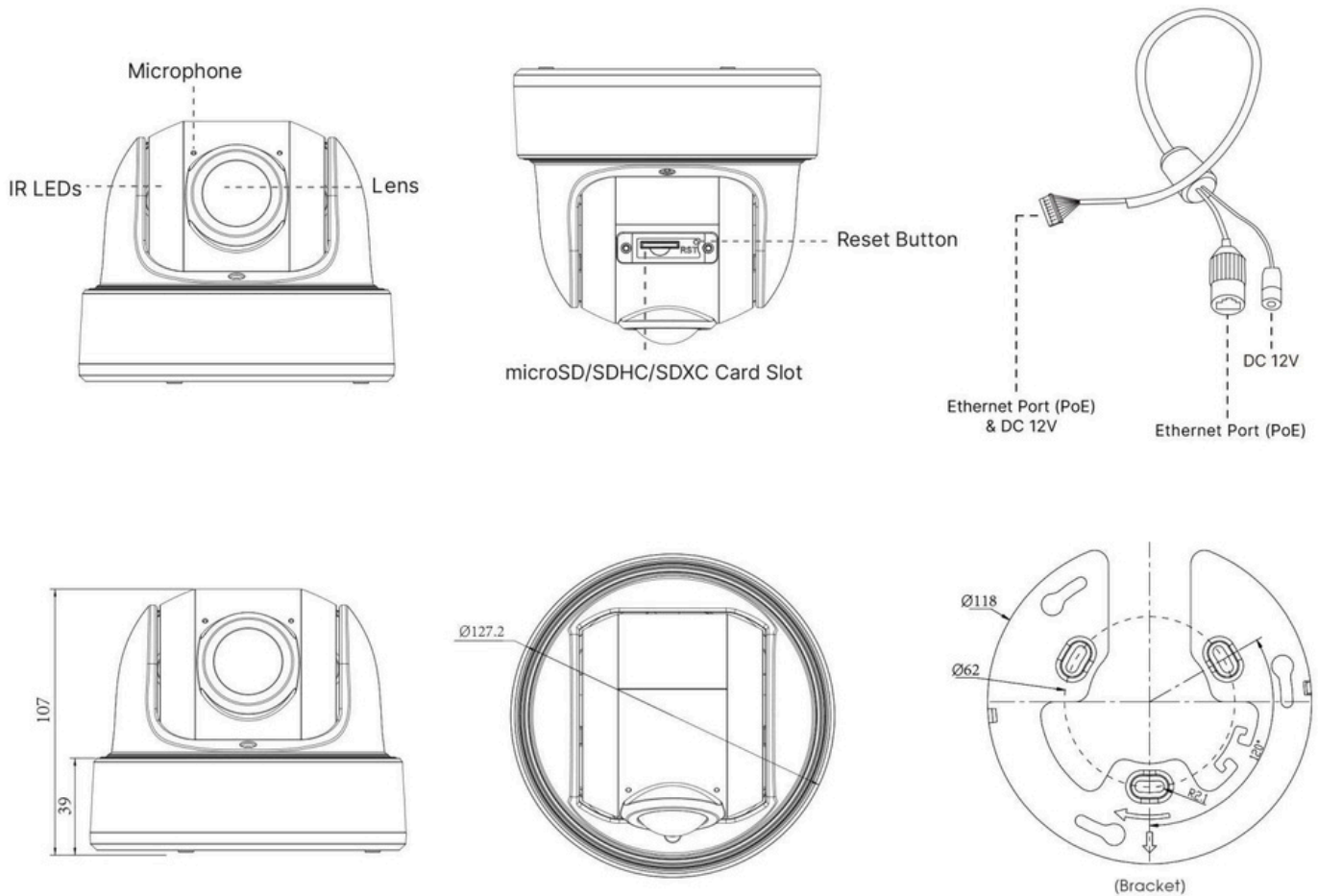
La telecamera si comporta bene nel catturare immagini dettagliate con risoluzione 4K HD indipendentemente dalla velocità di movimento.



|                  | Model                 | EM-C8176PE   |
|------------------|-----------------------|--|
| <b>Camera</b>    | Image Sensor          | 1/2.8" Progressive Scan CMOS   |
|                  | Min. Illumination     | Color:0.008Lux@F2.0 Color:0.012Lux@F2.0<br>B/W:0LuxwithIRon B/W:0LuxwithIRon   |
|                  | WDR                   | 120dB Super WDR  |
|                  | Lens                  | 1.68mm@F2.0  |
|                  | Mount                 | M12  |
|                  | Field of View         | H180°/V95° H180°/V86°  |
|                  | Shutter Time          | 1/100000s~1s   |
|                  | IR Distance           | Up to 15m  |
|                  | Day/Night Mode        | Day/Night/Auto/Customize/Schedule  |
|                  | S/N                   | >55dB  |
| <b>Video</b>     | Max. Image Resolution | 3840x2160  |
|                  | Primary Stream        | 60Hz/50Hz: 25fps@(3840x2160,3440x1936,3200x1800, 2880x1624, 2560x1440, 1920x1080, 1280x720)  |
|                  | Secondary Stream      | 60Hz/50Hz:25fps@(704x576, 640x480, 640x360)  |
|                  | Tertiary Stream       | 60Hz/50Hz: 25fps@(1280x720, 704x576, 640x480, 640x360)   |
|                  | Video Compression     | H.265+/H.265(HEVC)/H.264+/H.264/MJPEG  |
|                  | Video Bit Rate        | 16Kbps 16Mbps (CBR/VBR adjustable)   |
|                  | Privacy Masking       | Up to 8 Areas (Mask Area and Mosaic Area are optional)   |
|                  | ROI                   | Up to 8 areas  |
|                  | Image Setting         | Saturation/Brightness/Contrast/Sharpness   |
| <b>Interface</b> | Ethernet              | 1*RJ45 10M/100M Ethernet Port  |
|                  | Audio Interface       | Built-in Microphone  |
| <b>Network</b>   | Network Storage       | NAS(Support NFS, SMB/CIFS), ANR  |
|                  | Protocol              | IPv4/IPv6, ARP, TCP, UDP, RTCP, RTP, RTSP, RTMP, HTTP, HTTPS, DNS, DDNS, DHCP, FTP, NTP, SMTP, SNMP, UPnP, Bonjour, SIP, PPPoE, VLAN, 802.1x, QoS, IGMP, ICMP, SSL |
| <b>Audio</b>     | Audio Compression     | G.711/AAC/G.722/G.726  |
|                  | Audio Sampling Rate   | 8/16/32/44.1/48KHz   |
|                  | Audio Bit Rate        | 16~256kbps   |
|                  | Two-way Audio         | N/A  |

|                              |                          |   |
|------------------------------|--------------------------|---|
| <b>Intelligent Analytics</b> | Video Analysis           | Region Entrance, Region Exiting, Advanced Motion Detection, Tamper Detection, Line Crossing, Loitering, Object Left, Object Removed |
|                              | People Counting & Report | Count the number of people entering or exiting, up to 4 detection areas for regional people counting                                |
| <b>System</b>                | Storage                  | Support microSD/SDHC/SDXC Card Local Storage, up to 256G  |
|                              | Advanced Function        | Heat Map, BLC, HLC, 2D DNR, 3D DNR, Defog, AWB, IP Address Filtering, AGC, Anti-flicker, Corridor Mode, Deblur, Watermark           |
|                              | SIP/VoIP Support         | Yes, Voice & Video-over-IP  |
|                              | Event Trigger            | Motion Detection, Network Disconnection, Audio Alarm, etc.  |
|                              | Event Action             | FTP Upload, SMTP Upload, SD Card Record, SIP Phone, HTTP Notification, etc.   |
|                              | System Compatibility     | ONVIF Profile G & Q & S & T, API  |
| <b>General</b>               | Working Temperature      | -40°C~60°C  |
|                              | Working Humidity         | 0~95%(Non-condensing)   |
|                              | Power Supply             | PoE (802.3af) / DC 12V±10%  |
|                              | Power Consumption        | 7W MAX<br>10W MAX (With IR on)  |
|                              | Weather Proof            | Up to IP67-rated for Weather-resistant Performance  |
|                              | Housing                  | Vandal-proof IK10-rated Metal Housing   |
|                              | Weight                   | 853g  |
|                              | Dimensions               | Φ127mmX107mm  |
|                              | Warranty                 | 3/5 Years   |

### Structure Diagrams



Units: mm

### Accessories Support

A01 Pole Mount

Weight: 720g  
Dimensions: 170\*51.5\*152.6mm



A03 External Corner Bracket

Weight: 900g  
Dimensions: 170\*152.5\*76.3mm



A71 Wall Mount

Weight: 530g  
Dimensions: 162\*124\*78 mm

